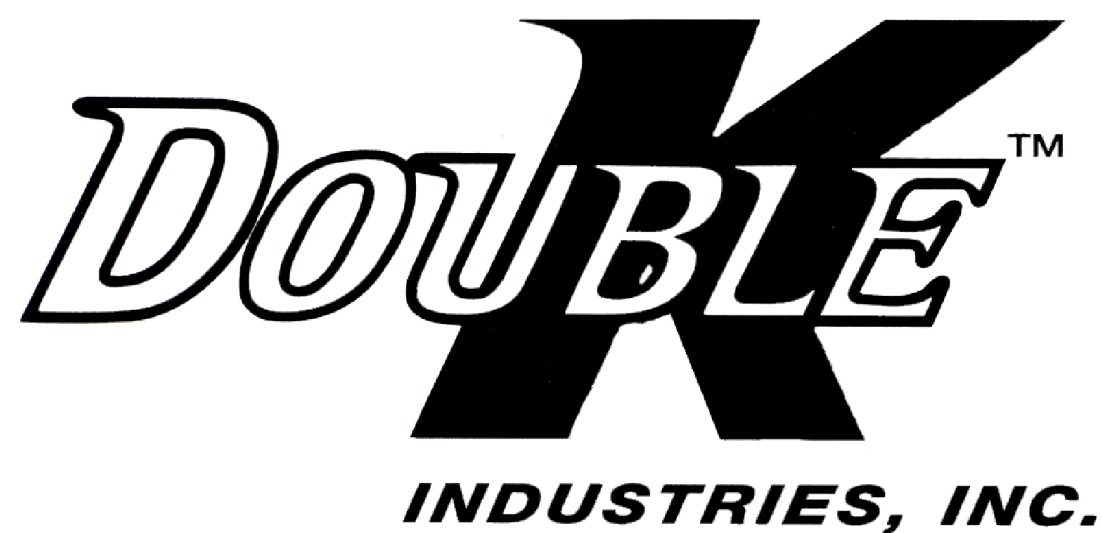


		9711 Mason Ave. Chatsworth, California 91311 (818) 772-2887 (800) 821-9449 Fax (818) 886-0218		
		401-PVS DIAGRAM		
SIZE C	SCALE 1:3.5	WEIGHT lbs. N/A	DWG. NO. P52B	REV A
ELECTRONIC FILE LOCATION C:\Engineering\CLIPPER 401\CLIPPER P52A\		HARDCOPY LOCATION		SHEET 1 OF 2

**MODEL 401
EXPLODED DIAGRAM**

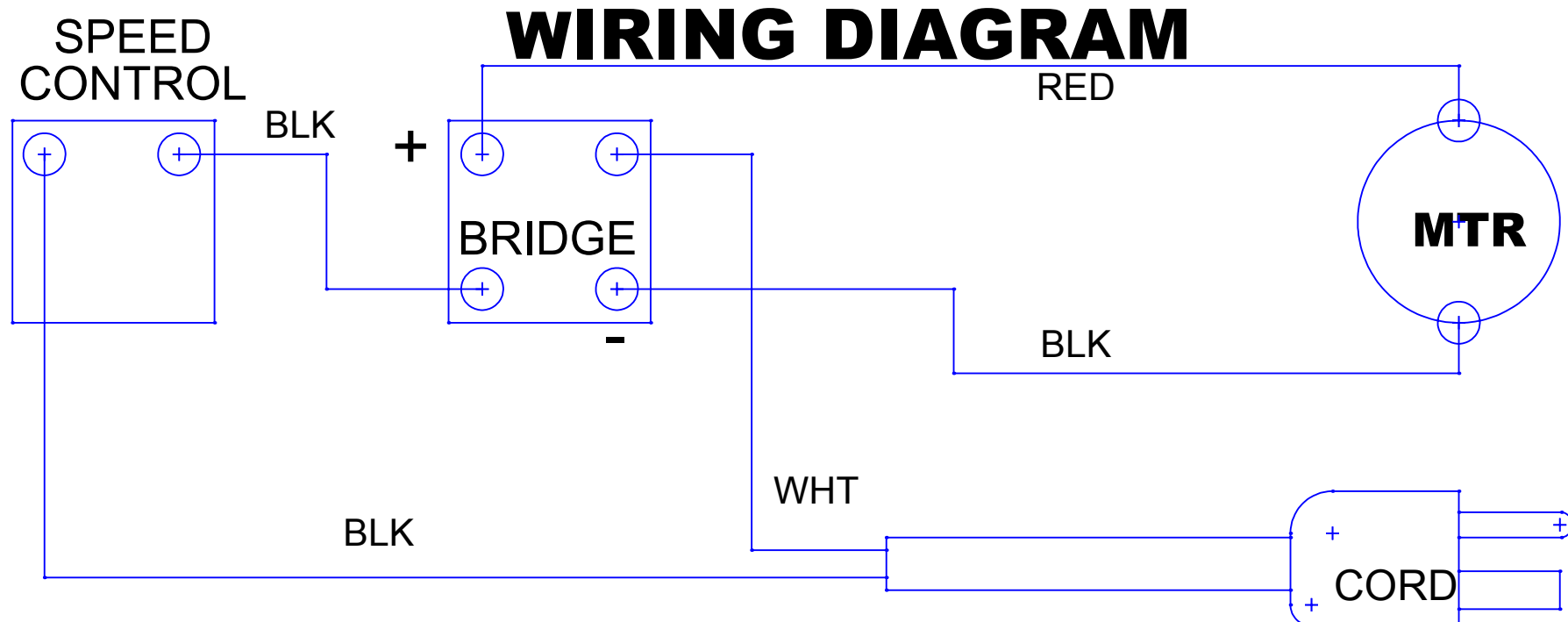


OPTIONS

ITEM	25	545-05	5' CABLE
ITEM	25	545-10	10' CABLE
ITEM	25	545-12	12' CABLE
ITEM	25	545-15	15' CABLE
ITEM	25	545-20	20' CABLE

ITEM NO.	PART NUMBER	DESCRIPTION	QTY.
1	537	POWER CORD SET 12'	1
2	426	QUICK TIE 4" FLAT RED	1
3	481A	HOUSING LEFT SIDE, POWER CLIPPER	1
4	482A	HOUSING RIGHT SIDE, POWER CLIPPER	1
5	445	ADAPTER 401-501 HOUSING CABLE	1
6	479	NUT, M4 ACORN	2
7	423-1	401 CLIPPER MOTOR	1
8	5540	TERMINAL 1/4" FEMALE 22-16 GA	4
9	488	REAR MOTOR SUPPORT	1
10	490	WASHER, #6FW,250x156x13	4
11	447-1: Port., 447-B: BMC	SWITCH ROTARY RHEOSTAT	1
12	5517	NUT HEX 3/8 SM SELF TAPPING	1
13	402	KNOB ROTARY ON/OFF--HI	1
14	9042	RECTIFIER AC TO DC BRIDGE	1
15	534	CORD GROMMET	1
16	422	SET SCREW #10-24 X .25	3
17	485	SCREW, #8-32rnd X .750	2
18	10078	LOCKNUT, #8-32 ny x .234	4
19	484	SCREW, #8-32rnd X 2.000	2
20	10019	SCREW #6-32 x 1/2 PHP, SELF TAPPING	1
21	5533	NUT #6-32 UNF KEPS LOCKING	1
22	575	SAFETY HOOK, 2-3/8 X 1/4	1
23	442	CHAIN SIZE 8 BLACK PLASTIC	8
24	483	SHAKEL	1
25	545-07	ASSEMBLY 7' POWER CABLE	1
26	516	SHAFT LEVER DRIVE	1
27	505	SHAFT BEARING .25 x .60	2
28	506	LEVER BALL BEARING .125 ID	1
29	592	FLYWHEEL LARGE	1
30	591	FLY WHEEL SMALL	1
31	411	SET SCREW #10-24 X .5	1
32	409	RETAINING RING TYPE SH .250	2
33	507	RETAINING RING TYPE SH .125	1
34	512	BOTTOM CLIPPER W/INSERTS	1
35	3025	LATCH DOUBLE K	1
36	515	BALL BEARING 7/32 STEEL	1
37	514	CLAMPBALL SPRING BLK	1
38	444	FILLISTER LOW PRO HD, #6-32 x 5/16	2
39	480	WASHER DELRIN, 266 X 562	1
40	598	DRIVE LEVER/ W BUSHING	1
41	508	FELT CLIPPER HANDPIECE	2
42	517	CLIPPER 401TOP	1
43	502	CLIPPER HANDPIECE COVER PLATE	1
44	501	SCREW #6-32 x 5/16" PHS	2
45	431	BUSHING 1/4 OD DELRIN, LEVER	1
46	418	SPRING CLIP	1
47	2091	RIVIT ALUMINIUM 1/8 X 3/8	1
48	492	SPACER #8x1438LG	2
49	491	SPACER PLASTIC #8x312	2
50	494	POWER CLIPPER DECAL	1
51	493	SCREW, #6-32X312LG	2
52	10307	TAPE DUCT	2
53	513	SCREW #6-32 x .50 SHCS BLK OXIDE	4
54	510	HINGE	1

WIRING DIAGRAM



DOUBLE INDUSTRIES, INC. 9711 Mason Ave. Chatsworth, California 91311 (818) 772-2887 (800) 821-9449 Fax (818) 886-0218

**401-PVS
DIAGRAM**

SIZE	SCALE	WEIGHT lbs.	DWG. NO.	REV
C	1:3.5	N/A	P52B	A
ELECTRONIC FILE LOCATION		HARDCOPY LOCATION		SHEET
C:\Engineering\CLIPPER 401\CLIPPER P52A\				2 OF 2