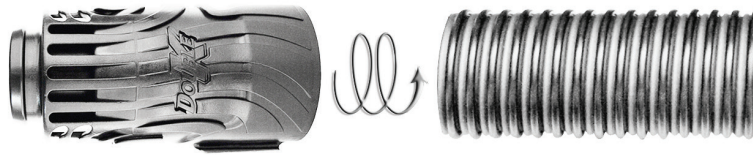


NOZZLE ASSEMBLY INSTRUCTIONS

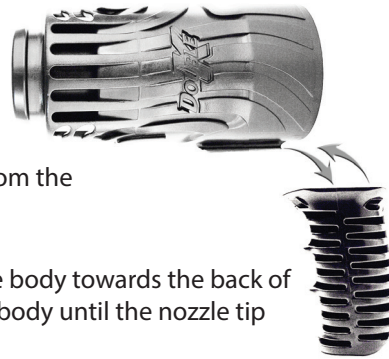
Installing nozzle body on dryer hose

hose: Screw the nozzle body onto the hose in counter-clockwise motion. Nozzle body may be used alone, with a handle or with any of the included nozzle tips.

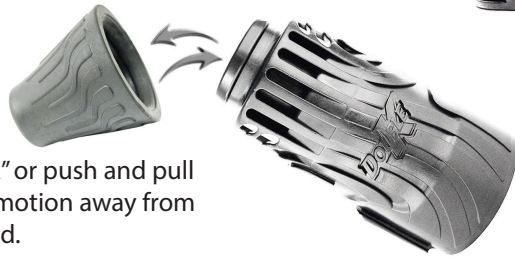


Installing and removing handle:

Locate the key (raised track) at the rear of the nozzle body and position the handle behind the key. Insert the key into the slot on the top of the handle. To remove the handle, slide the handle backwards away from the nozzle body, taking care to keep fingers away from the nozzle body and toward the handle bottom.



Attaching nozzle tips: Place the front of the nozzle body towards the back of the nozzle tip. "Rock" the nozzle tip onto the nozzle body until the nozzle tip locks into place. Check if it is secure by gently pulling the nozzle tip and nozzle body.



To remove a nozzle tip: Firmly grasp the nozzle body with one hand and the tip with the other. "Rock" or push and pull side-to-side while pulling the tip in a motion away from the nozzle body until the tip is released.

Attachment List

Attachment	P/N	Description	Qty.
	825-6	1½" Hose Black on Blue	1
	2036	Hose to Dryer 1½" Locking Adapter	1
	2079	1½" Airgonomic Nozzle Body	1
	2079-H	Nozzle Handle	1
	2079-TAS	Air Sweep Nozzle Tip	1
	2079-THV	Hi-Velocity Nozzle Tip	1
	2079-TSHV	Super Hi-Velocity Nozzle Tip	1

DOUBLE K INDUSTRIES CHALLENGAIR 2000XL

ANIMAL DRYER



INSTRUCTION MANUAL

PLEASE READ ALL INSTRUCTIONS AND SAFETY PRECAUTIONS BEFORE OPERATING PRODUCT.

SAVE FOR FUTURE REFERENCE. WARRANTY PERTINENT CONTENT.

Product Specifications: Model - 2000XL

Voltage: 115v

Voltage: 230v

Amperage: 9.40

Amperage: 4.5

Wattage: 1081

Wattage: 1035

Hertz: 60

Hertz: 50/60

Motor Air Volume: 124 CFM

Motor Air Volume: 124 CFM

9711 Mason Avenue, Chatsworth, CA 91311
(818) 772-2887 • (800) 821-9449 • fax: (818) 886-0218
www.DoubleKIndustries.com • info@DoubleKIndustries.com

IMPORTANT SAFEGUARDS

WARNING: IMPORTANT SAFETY PRECAUTIONS. PLEASE READ COMPLETELY BEFORE USING PRODUCT.

When using electrical appliances, especially in the presence of children or animals, basic safety precautions should always be followed to reduce the risk of fire, electric shock, and personal injury, including but not limited to the following:

DO NOT TURN ON DRYER WITHOUT FIRST HOLDING THE DRYER HOSE as the air volume from the dryer can cause the hose to whip or move rapidly and may cause injury.

1. Do not leave dryer OR animal unattended while in use.
2. Unplug unit when not in use.
3. Do not use extension cords with dryer.
4. Do not unplug unit by pulling on cord.
5. Do not expose dryer to rain or water.
6. Do not use or store dryer where it can fall or be pulled into tub, sink or standing water. If dryer falls into water . . . UNPLUG IT . . . Do not reach into the water!
7. Unplug unit before attempting any maintenance or service.
8. The 230 volt version of this appliance has an earth connection for functional purposes only.
9. Do not put any object into dryer openings.
10. Keep loose clothing, jewelry and hair away from dryer intake.
11. Do not direct dryer air towards eyes or ears of people or pets.
12. Never use dryer if it has a damaged cord or plug, has been dropped, damaged or exposed to rain or water. Return to **Double K Industries** or an Authorized Service Center for service.
13. When using the cage attachment, do not leave the animal unattended.
14. This product is for use on animals only.
15. Recommended operation by adults only. Use caution when working around children.
16. Do not use attachments not recommended by **Double K Industries**.
17. Do not operate without filters in place. Keep filters clean, as dirty filters limit air intake and may damage the motor or cause overheating.
18. Plug into a properly grounded receptacle. Always make sure the amperage of the electrical outlet is sufficient for the amperage rating of the product. (See Product Specifications on front page for amperage rating of this product).
19. Do not use product for anything other than its intended purpose.
20. Do not attempt to perform any service or maintenance not outlined in instruction manual.
21. Do not attempt any product modifications or alterations. Do not use, if any parts or switches are damaged. Send to an Authorized Service Center or **Double K Industries** for service.
22. When servicing, use only **Double K Industries** parts.

MOTOR BRUSHES

Your **CHALLENGAIR® 2000XL** has a brush-type motor. The brushes should be checked for wear after approximately 600 hours of use. If the carbon brushes are worn shorter than 1/4 inch, the brushes should be replaced. Brushes may be ordered from **Double K Industries** or an Authorized Service Center. Please be sure to specify that your dryer is a **2000XL**, as the brushes are slightly different from one dryer model to another.

To check and/or replace brushes:

1. Unplug electrical cord from wall outlet.

Disassembly:

2. Slide off the end cap from the dryer by lifting tabs and pulling back off.
3. Remove all screws on the outside of the dryer that hold the two halves of dryer housing in place. Lay the dryer on its side while removing these screws. Remove the O-ring on the snout of the dryer and lift the top half.
4. The motor will be sitting in place inside the rubber silicone motor mount. Removing the rubber silicone motor mount from the motor is not necessary to replace brushes. The internal filter frame fits into slots on the inside of the dryer housing. This piece can remain while changing brushes.
5. Disconnect motor power wires (see wiring diagram). Note where wires connect.
6. Motor: (a) Find the flag connector on the top of the brush assembly. There is a wire leading to this connector. (b) Place a flathead screwdriver with a fine tip between the flag connector and the plastic brush housing. (c) Rock the screwdriver back and forth and gently wedge the flag connector out of the brush assembly. (d) Loosen the two brush assembly retainer bracket screws. (e) Remove the brush assembly. (f) Replace the brush assembly with the new one, making sure that the small tab on the bottom is fitted onto the corresponding slot on the motor frame. (g) Replace the brush assembly retainer bracket and tighten the screws which hold it in place. (h) Attach the flag connector to the new brush in the same position as was the old brush. (i) Repeat these steps for the brush on the other side of the motor.

Reassembly:

7. Inspect the motor mount for cracks or damage -- replace with new motor mount if damaged. Set the motor back into its original position in the dryer housing. The motor mount has slots that fit over corresponding alignment tabs on the inside of the dryer housing. These slots and tabs must match up for proper fit and function. (Note: In the event that the motor mount is removed from the motor, simply replace it by being mindful to align the contours of the motor mount with corresponding contours on the motor housing.) Make sure that the internal filter housing is in its appropriate slot before putting the halves together.
8. Reattach the screws around the outside of the dryer making sure the two halves are matching up.
9. After the two halves of the dryer housing have been put together, replace internal filter and push the end cap onto the rear of the dryer until tabs lock in place. Always make sure all filters are in place before operating dryer. Replace o-ring on snout.

WARNING: DISCONNECT POWER SUPPLY BEFORE SERVICING
AVERTISSEMENT: COUPER L'ALIMENTATION AVANT L'ENTRETIEN ET LE DÉPANNAGE

INSTRUCTIONS

After assembly, hold nozzle and turn on dryer. Maximum operating temperature is reached in about one minute but effective drying begins immediately. Generally dry from the top of the animal, with a side-to-side sweeping motion, holding the nozzle downwards to keep displaced water away from areas already dried. Hold the drying nozzle at a downward angle and move either front-to-back or back-to-front, making sure to progress toward parts of the animal that are still wet.

REQUIRED MAINTENANCE

FILTERS: (Procedures below must be performed regularly or as needed to protect dryer warranty status.)

FILTER CLEANING: Both the external and internal filters of the **CHALLENGAIR® 2000XL** should be kept clean. If the filters become heavily coated with hair or debris, it will reduce the air output of your dryer and can cause damage to the motor or cause the motor to overheat.

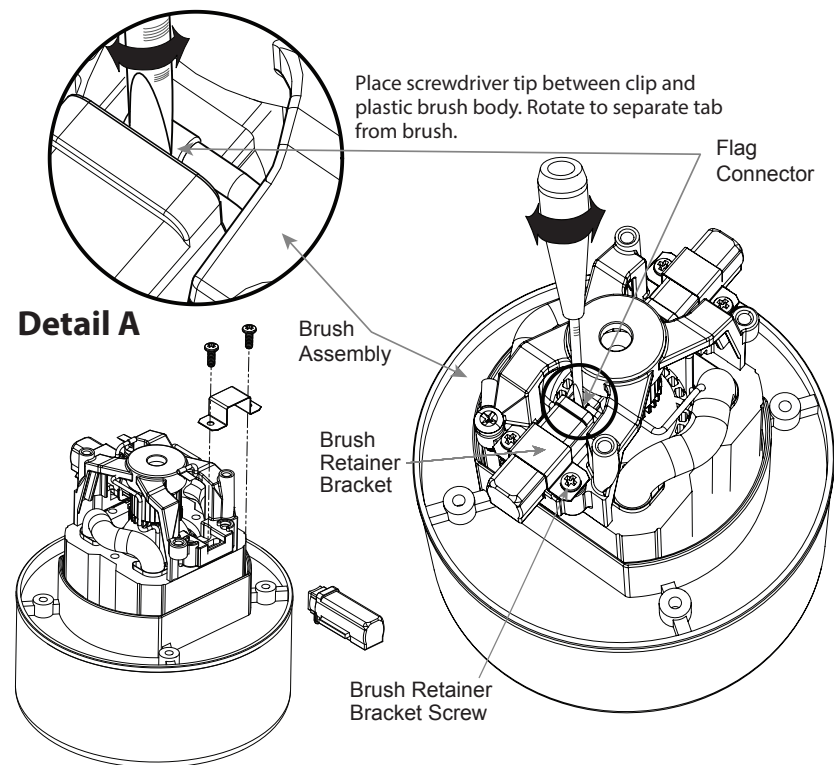
***Never operate the dryer without all filters in place.**

To clean external filter: Vacuum or shake off dirt and hair daily. Filter may be rinsed in water if necessary. Let filter dry completely before reinstalling on dryer.

To clean the internal motor filter of the CHALLENGAIR® 2000XL:

1. Unplug dryer.
2. Slide off the end cap of the dryer by lifting up on side tabs and pulling off.
3. Remove the filter from the internal filter housing.
4. Clean motor filter disk by vacuuming off hair and dirt, or wash filter gently in cool water. Shake off excess water and allow to air dry completely.
5. Place the filter back in the filter housing.
6. Replace dryer end cap until tabs lock in place.

Any maintenance not explained in this manual should be performed by **Double K Industries** or an Authorized Service Center. Call **Double K Industries** for the name of an Authorized Service Center nearest you. All warranty service must be performed by an Authorized Service Center (or **Double K Industries**) to protect your warranty status.



Congratulations!

You've just purchased the Double K **CHALLENGAIR® 2000XL** Forced Air Dryer, which produces warm, high velocity air under pressure, to allow you to dry your animal perfectly. Your new dryer is designed to provide long, reliable service.

Please read this manual carefully and completely before beginning operation of your dryer and keep in a convenient and safe place for future reference. A warranty card is included with your dryer and should be filled out completely and mailed to **Double K Industries** within 30 days of the purchase date of your dryer to validate your warranty. Online registration is available at www.DoubleKIndustries.com

Your **CHALLENGAIR® 2000XL** has a limited two-year warranty covering the unit against defects in materials and workmanship. Regular maintenance items such as brushes and filters are NOT included (see warranty card for complete warranty information). It is also important to retain your sales receipt as proof of purchase should service ever be needed.

Your **CHALLENGAIR® 2000XL** has a commutation brush-type motor. It is important that the brushes be changed when they become worn down to prevent damage to your dryer motor (brushes are maintenance components and are NOT covered under the warranty). We suggest checking the motor brushes after every 600 hours of dryer use. Please see section on **BRUSHES** in this manual for instructions.

A NOTE ABOUT HEAT: Your **CHALLENGAIR® 2000XL** has no heating element. The **CHALLENGAIR® 2000XL** produces heat by a "flow-thru" motor system, meaning the air is pushed through the motor and is warmed by the natural heat of the motor that occurs during operation. This means greater electrical savings and efficiency for you. The dryer will reach its maximum air temperature after 2-4 minutes of operation. (Note: The higher the room temperature, the warmer the air from the dryer will be.)

ASSEMBLY

To attach hose to dryer: Your dryer hose has a black hose adapter that will screw onto the hose in a counter-clockwise motion. The adapter with hose attached then fits onto the dryer with a half-twist motion that locks the adapter onto the dryer.

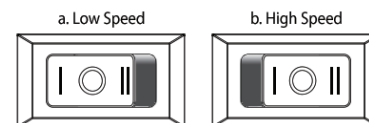
First, place the adapter over the snout of the dryer with the Double K logo facing up, then turn hose counter-clockwise until the adapter locks in place. The Double K logo should then be sitting horizontally. **To remove hose from adapter:** Turn the hose clockwise.

ATTACHMENTS: Your dryer is equipped with one hose, 1 twist-on Airgonomic™ nozzle, 1 Airgonomic™ nozzle handle, and 3 Airgonomic™ nozzle tips. To attach nozzle to the hose, twist counter-clockwise to remove. The nozzle handle slides on and off the nozzle raised track. When attaching or removing the handle, take care to keep fingers away from the nozzle body toward the handle bottom. To attach nozzle tips, "rock" the attached tip off, and the new tip on. See Attachment List on page 8.

OPERATION

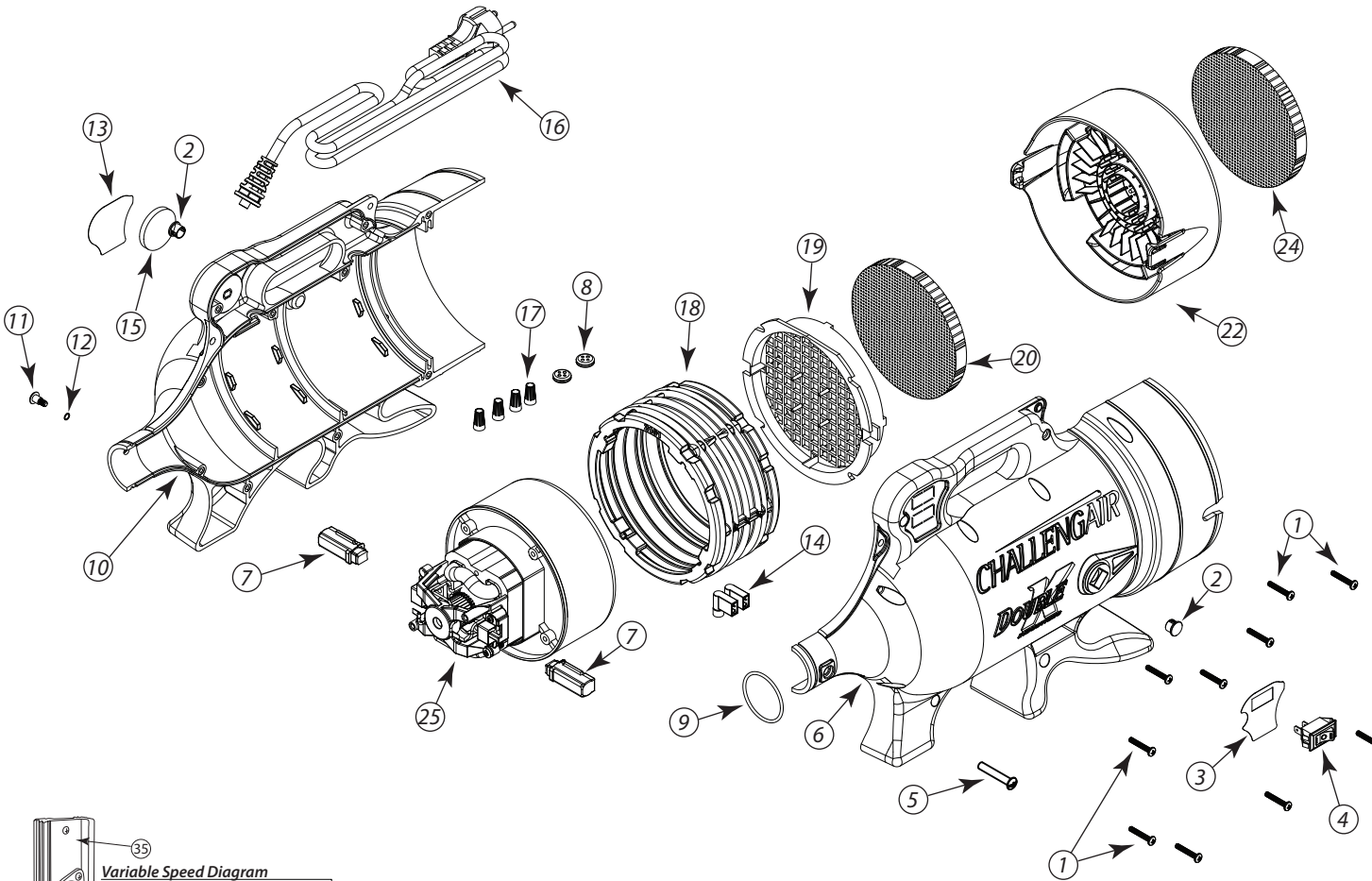
Switches and Controls:

1. **2-Speed:**
 - a. **Low Speed / Standard Heat** - Push switch to the | position.
 - b. **High Speed / High Heat** - Push switch to the || position.
2. **Variable Speed (optional) - IMPORTANT: Do not use with Power Inverter system.**
 - a. **Maximum Output** - Turn the dial speed control clockwise to its maximum.
 - b. **Variable Output** - Turn the dial speed control clockwise to desired air output.
 - c. **Off Position** - Turn the dial speed control counter-clockwise until it clicks off.



DOUBLE™ 2000XL™ INDUSTRIES EXPLODED DIAGRAM

2000XL PARTS LIST



Item#	Part#	DESCRIPTION	Qty.
1	2167	Screw 2600 Series Housing	12
2	2123	Housing Plug (models w/o stand)	2
3	2610	Decal, Switch Side	1
4	2147	Switch Rocker 20A 125VAC 3-Pos	1
5	2198	Barrel Bolt (1/4 Barrel 24 Thread)	1
6	2158-1	Short Black Housing, Right Side	1
7	10075	Motor Brushes, 115v	2
	880	Motor Brushes, 230v	
8	2159	Wire Grommet, 4-Hole	2
9	2108	Housing O-Ring for Hose Adapter	1
10	2158-2	Short Black Housing, Left Side	1
11	2197	Screw, 1/4 Shoulder (#10-24 Thread)	1
12	2131	Shim .24 OD x .190 ID x .015	1
13	2608	Decal, 115v 2000XL	1
	2609	Decal, 230v 2000XL	
14	2119	Connector, Blue Flag	2
15	2187	Cork Disk Filler	1
	881-3	Assy. Cord Set 115v	
	403	230v GB Cord Set UK-Ireland	
	404	230v China Cord	
	405	230v Eur. Cord Set Continental Europe	
	408	230v Aus Cord Set New Zealand	
16			1
17	5539	Nut, Orange Hard Plastic Wire	4
18	2161	Silicone Rubber Molded Motor Mount	1
19	2191	Internal Filter Housing	1
20	2196	Internal Filter	1
22	2622	End Cap Assembly (incl. 5538 and 2009)	1
24	2223	External Filter	1
25	819	Motor 120v 60 Hz LM #115923	1
	823	Motor w/ Choke, 230 v	
29	2218	VS Decal, 115v 2000XL, Product Data Side	1
30	2168	Speed Control Board (115v)	1
31	2145N	Nut, Rheostat Speed Control - VS	1
32	5509	Knob Switch Black	1
33	2217	Decal VS Pot Side: Variable Speed Units	1
34	2153	3/8 External-Tooth Lock Washer	1
35	2167	Triac (115v), Assy. w/ Heat Sink	1

