

NOZZLE ASSEMBLY INSTRUCTIONS

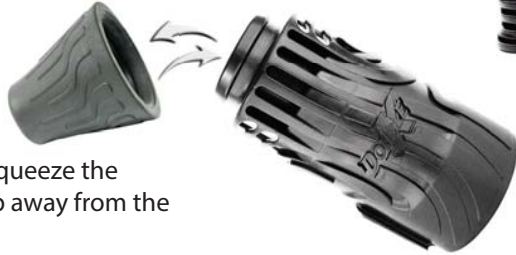
Installing nozzle body on dryer hose: Screw the nozzle body onto the hose in counter-clockwise motion. Nozzle body may be used alone, with a handle or with any of the included nozzle tips.



Installing and removing handle: Locate the key at the rear of the nozzle body and position the handle behind the key. Insert the key into the slot on the top of the handle. To remove the handle, slide the handle backwards away from the nozzle body.



Attaching nozzle tips: Face the front of the nozzle body towards the back of the nozzle tip. Press the nozzle tip firmly on the nozzle body until the nozzle tip locks into place. Check if it is secure by gently pulling the nozzle tip and nozzle body.



How to remove a nozzle tip: Gently squeeze the nozzle tip while pulling the nozzle tip away from the nozzle body.

Attachment List

Attachment	P/N	Description	Qty.
	825-6	1 1/2" Hose Black on Blue	1
	2036	Hose to Dryer 1 1/2" Locking Adapter	1
	2079	1 1/2" Airgonomic Nozzle Body	1
	2079-H	Nozzle Handle	1
	2079-TAS	Air Sweep Nozzle Tip	1
	2079-THV	Hi-Velocity Nozzle Tip	1
	2079-TSHV	Super Hi-Velocity Nozzle Tip	1



INSTRUCTION MANUAL

PLEASE READ ALL INSTRUCTIONS AND SAFETY PRECAUTIONS BEFORE OPERATING PRODUCT!

SAVE FOR FUTURE REFERENCE; WARRANTY PERTINENT CONTENT.

Product Specifications:

Model – EXTREME™

Voltage: 115v	Voltage: 230v
Amperage: 17.40	Amperage: 10.10
Hertz: 60	Hertz: 50/60
Wattage: 2001	Wattage: 2323
Horse Power: 3 Each Motor	Horse Power: 3 Each Motor
Motor Air Volume: 124 CFM each	Motor Air Volume: 124 CFM

9711 Mason Avenue, Chatsworth, CA 91311
 (818) 772-2887 • (800) 821-9449 • fax: (818) 886-0218
 www.DoubleKIndustries.com • info@DoubleKIndustries.com

IMPORTANT SAFEGUARDS

WARNING: IMPORTANT SAFETY PRECAUTIONS! PLEASE READ COMPLETELY BEFORE USING PRODUCT!

When using electrical appliances, especially in the presence of children and animals, basic safety precautions should always be followed to reduce the risk of fire, electric shock, and personal injury, including but not limited to the following:

DO NOT TURN ON DRYER WITHOUT FIRST HOLDING THE DRYER HOSE, as the air volume from the dryer can cause the hose to whip or move rapidly and may cause injury.

1. Do not leave dryer OR the animal unattended while product is in use.
2. Unplug unit when not in use.
3. Do not use extension cords with dryer.
4. Do not unplug unit by pulling on cord.
5. Do not expose dryer to rain or water.
6. Do not use or store dryer where it can fall or be pulled into tub or sink or standing water. If dryer falls into water . . . UNPLUG IT . . . Do not reach into the water!
7. Unplug unit before attempting any maintenance or service.
8. Do not put any object into dryer openings.
9. Keep loose clothing, jewelry and hair away from dryer openings.
10. Do not direct dryer air towards eyes or ears of people or pets.
11. Never use dryer if it has a damaged cord or plug, has been dropped, damaged or exposed to rain or water. Return to **Double K Industries** or an Authorized Service Center for service.
12. This dryer should not be used as a cage dryer, for cage drying please consider our model 560 Cage dryer.
13. This product is for use on animals only.
14. Recommended operation by adults only. Use caution when working around children.
15. Do not use attachments not recommended by **Double K Industries**.
16. Do not operate without filters in place. Keep filters clean, as dirty filters limit air intake and may damage the motor or cause overheating.
17. Plug only into a properly grounded receptacle. Always make sure the amperage of the electrical outlet is sufficient for the amperage rating of the product. (See Product Specifications for amperage rating of this product).
18. Do not use product for anything other than its intended purpose.
19. Do not attempt to perform any service or maintenance not outlined in instruction manual.
20. Do not attempt any product modifications or alterations. Do not use, if any parts or switches are damaged. Send to an Authorized Service Center or **Double K Industries** for service.
21. When servicing, use only **Double K Industries** parts.

WARNING: DISCONNECT POWER SUPPLY BEFORE SERVICING
AVERTISSEMENT: COUPER L'ALIMENTATION AVANT
L'ENTRETIEN ET LE DÉPANNAGE

BRUSHES

Your **CHALLENGAIR Extreme™** has two brush-type motors. The brushes should be checked for wear after approximately 500 hours of use. If the carbon brushes are worn shorter than 1/4 inch, the brushes should be replaced. Brushes may be ordered from **Double K Industries** or an Authorized Service Center (you will need 2 sets, 1 set for each motor). Please be sure to specify that your dryer is an **Extreme™**, as the brushes are slightly different from one dryer model to another.

To check and/or replace brushes:

1. Unplug electrical cord from wall outlet.

Disassembly:

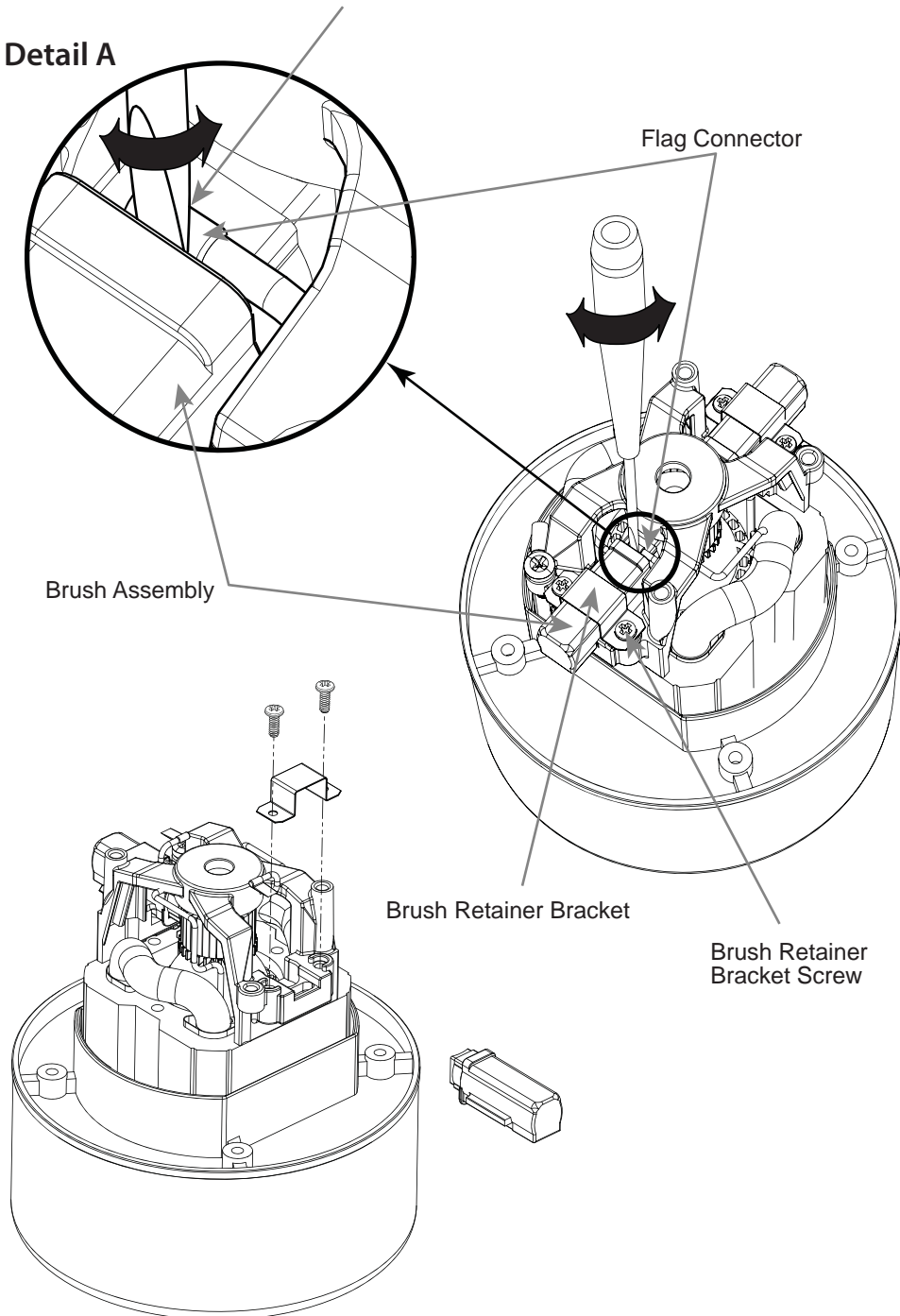
2. Slide off the back cover from the dryer. This is a compression fit and will come off with a little effort.
3. Remove all screws on the outside of the dryer that hold the two halves of dryer housing in place. Lay the dryer on its side while removing these screws. Remove the O-ring on the snout of the dryer and lift the top half.
4. Each motor will be sitting in place inside the rubber silicone motor mounts. Removing the rubber silicone motor mounts from the motor is not necessary to replace brushes. The internal filter frame fits into slots on the inside of the dryer housing. This piece can remain while changing brushes.
5. Disconnect motor power wires (see wiring diagram). Note where wires connect.
6. Motor: (a) Find the flag connector on the top of the brush assembly. There is a wire leading to this connector. (b) Place a flathead screwdriver with a fine tip between the flag connector and the plastic brush housing. (c) Rock the screwdriver back and forth and gently wedge the flag connector out of the brush assembly. (d) Loosen the two brush assembly retainer bracket screws. (e) Remove the brush assembly. (f) Replace the brush assembly with the new one, making sure that the small tab on the bottom is fitted onto the corresponding slot on the motor frame. (g) Replace the brush assembly retainer bracket and tighten the screws which hold it in place. (h) Attach the flag connector to the new brush in the same position as the previous brush. (i) Repeat these steps for the brush on the other side of the motor.

Reassembly:

7. Inspect the motor mount for cracks or damage -- replace if necessary. Set the motor back into its original position in the dryer housing. The motor mount has slots that fit over corresponding alignment tabs on the inside of the dryer housing. These slots and tabs must match up for proper fit and function. (Note: In the event that the motor mount is removed from the motor, simply replace it by being mindful to align the contours of the motor mount with corresponding contours on the motor housing.) Make sure that the internal filter housing is in its appropriate slot before putting the halves together.
8. Reattach the screws around the outside of the dryer making sure the two halves are matching up.
9. After the two halves of the dryer housing have been put together, replace internal filter and push the back cover onto the rear of the dryer. Always make sure all filters are in place before operating dryer. Replace o-ring on snout.

Place Screw Driver Tip Between Clip and Plastic Brush Body. Rotate to Separate Tab from Brush.

Detail A



Congratulations!

You've just purchased the **Double K CHALLENGAIR Extreme™** Forced Air Dryer, which produces warm, high velocity air under pressure, to make your animal grooming tasks easier. Your new dryer is designed to provide long, reliable service.

Please read this manual carefully and completely before beginning operation of your dryer and keep in a convenient and safe place for future reference.

A warranty card is included with your dryer and should be filled out completely and mailed to **Double K Industries** within 30 days of the purchase date of your dryer to validate your warranty. Online registration is available at www.DoubleKIndustries.com

Your **CHALLENGAIR Extreme™** has a two-year warranty covering the unit against defects in materials and workmanship. Regular maintenance items such as brushes and filters are not included (see warranty card for complete warranty information). It is also important to retain your sales receipt as proof of purchase should service ever be needed.

Your **CHALLENGAIR Extreme™** has two brush-type motors. It is important that the brushes be changed when they become worn down to prevent damage to your dryer motor (brushes are maintenance components and are not covered under the warranty). We suggest checking the motor brushes after every 600 hours of dryer use. Please see section on BRUSHES in this manual for instructions.

A NOTE ABOUT HEAT: Your **CHALLENGAIR Extreme™** has no heating element. The **CHALLENGAIR Extreme™** produces heat by a "flow-thru" motor system, meaning the air is pushed through the motors and is warmed by the natural heat of the motors that occurs during operation. This means greater electrical savings and efficiency for you. The dryer will reach its maximum air temperature after about 2-4 minutes of operation. (Note: The higher the room temperature, the warmer the air from the dryer will be.)

ASSEMBLY

To attach hose to dryer: Your dryer hose has a black hose adapter that will screw onto the hose in a **counter-clockwise motion**. The adapter with hose attached then fits onto the dryer with a half-twist motion that locks the adapter onto the dryer.

First, place the adapter over the snout of the dryer with the Double K logo facing up, then turn hose counter-clockwise until the adapter locks in place, the Double K logo should then be sitting horizontally.

To remove hose from adapter: Turn the hose clockwise.

ATTACHMENTS: Your dryer is equipped with one hose and 4 twist-on nozzles. To attach nozzles to hose, twist the nozzles counter-clockwise. Twist clockwise to remove.

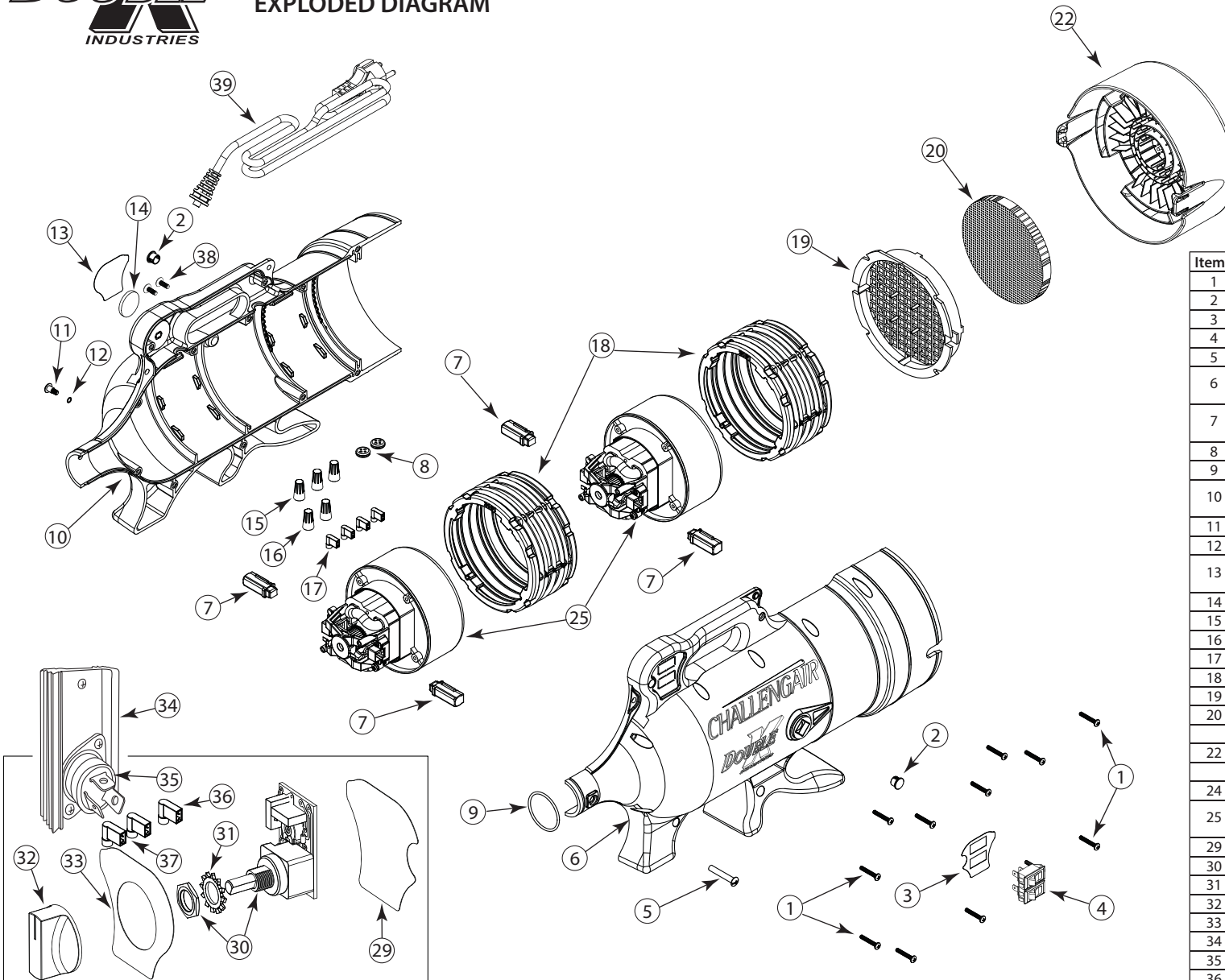
OPERATION - Switches and Controls:

1. 2-Speed:

- Low Speed / Standard Heat** - Turn on the top motor switch.
- High Speed / High Heat** - Turn on both motor switches.

2. Variable Speed (optional)

- Maximum Output** - Turn the dial speed control clockwise to its maximum.
- Variable Output** - Turn the dial speed control clockwise to desired air output.
- Off Position** - Turn the dial speed control counter-clockwise until it clicks off.



EXTREME PARTS LIST

Item#	Part#	DESCRIPTION	Qty.
1	2163	Screw 2000, Airmax & Extreme	12
2	2123	Housing Plug (models w/o stand)	2
3	2603	Decal, Extreme Switch Side	1
4	2148	Switch Rocker 20A 125VAC 2-Pos	2
5	2198	Barrel Bolt (1/4 Barrel 24 Thread)	1
6	2157-1	Long Black Housing, Right Side	1
	2155-1	Long Blue Housing, Right Side	1
7	815	Motor Brushes, 115v	4
	880	Motor Brushes, 230v	4
8	2159	Wire Grommet, 4-Hole	2
9	2108	Housing O-Ring for Hose Adapter	1
10	2157-2	Long Black Housing, Left Side	1
	2155-2	Long Blue Housing, Left Side	1
11	2197	Screw, 1/4 Shoulder (#10-24 Thread)	1
12	2131	Shim .24 OD x .190 ID x .015	1
13	2601	Decal, 115v Extreme	1
	2602	Decal, 230v Extreme	1
14	2187	Cork Disk Filler	1
15	5539	Nut, Orange Hard Plastic Wire	3
16	5537	Nut, Blue Hard Plastic Wire	2
17	2119	Blue Terminal Flag 16-14ga	4
18	2161-1	Silicone Rubber Molded Motor Mount	2
19	2191	Internal Filter Housing	1
20	2196	Internal Filter	1
22	2622	End Cap Assembly (incl. 5538 and 2009)	1
24	2223	External Filter	1
25	819	Motor, 120v 60 Hz LM #115923	2
	805	Motor w/Choke, 230v	2
29	2606	VS Decal, 115v Extreme, Product Data Side	1
30	2168	Speed Control Board Assembly (115v)	1
31	2153	3/8 External-Tooth Lock Washer	1
32	5509-1	Knob Switch Black	1
33	2217	Decal VS Pot Side: Variable Speed Units	1
34	2041	1.5" x 2.5" Custom Heat Sink	1
35	640	Triac	1
36	2177	Full Insulated Flag Quick-Disc	1
37	5508	Yellow Terminal Flag 1/4" 12-1	2
38	2135	Screw, Variable Speed Stopper	2
39	881-3	Assy. Cord Set 115v	1
	403	230v GB Cord Set UK-Ireland	1
	404	230v China Cord	1
	405	230v Eur. Cord Set Continental Europe	1
	408	230v Aus Cord Set New Zealand	1

