

REQUIRED MAINTENANCE

(The maintenance obligations below must be performed on a regular basis or as needed to protect warranty status)

FILTERS: If the filters become heavily coated with hair and/or dirt, it will reduce the air output of your dryer and can cause damage to the motor or cause the motor to overheat. **Never operate the dryer without filter in place.**

Filter Cleaning: The top filter may be cleaned after each use by wiping away hair that is on the filter. The filter must periodically be shaken out, or vacuumed off to remove excessive dirt, hair and dander that is in the filter. The filter may also be washed with water and mild soap. Let dry completely before installing back on the dryer. (Never run dryer without filter in place.)

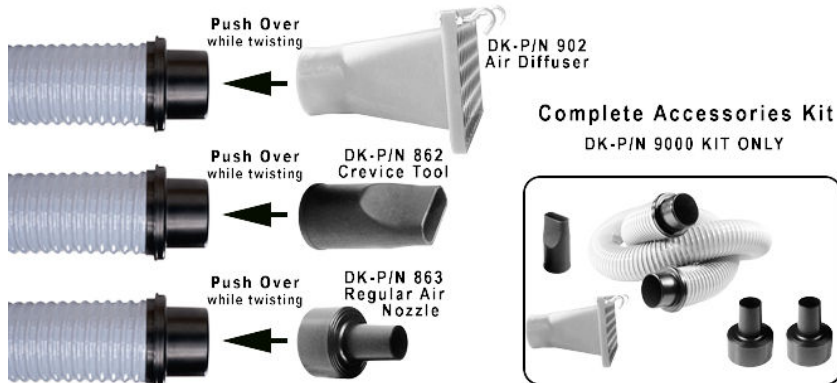
Cleaning Dryer Interior: Dust will accumulate inside the dryer. Blow clean as needed using a Challengair Forced Air Dryer or suitable high pressure air.

Any maintenance not explained in this manual should be performed by **Double K Industries**, or an Authorized Service Center. Call **Double K Industries** for the name of an Authorized Service Center nearest you. All warranty service must be performed by an Authorized Service Center (or **Double K Industries**) to protect your warranty status.

A warranty card is included with your dryer and should be filled out completely and mailed to **Double K Industries** within 30 days of the purchase date of your dryer to validate your warranty. Your **CHALLENGAIR 9000 II** has a two year limited warranty. See warranty card for complete coverage information. Online registration available at www.DoubleKIndustries.com.

Optional Attachments: A hose and nozzle kit is available for the **CHALLENGAIR 9000 II**. To attach the hose to the dryer, insert hose end into the arm extension nozzle. To attach nozzles to the hose, simply push nozzle securely onto the hose end. This kit can be purchased where you bought your dryer.

CHALLENGAIR 9000II Attachments Guide



DOUBLE K INDUSTRIES CHALLENGAIR®



9000II Animal Dryer

INSTRUCTION MANUAL

PLEASE READ ALL INSTRUCTIONS AND SAFETY
PRECAUTIONS BEFORE OPERATING PRODUCT.
SAVE FOR FUTURE REFERENCE; WARRANTY
PERTINENT CONTENT.

Product Specifications: Model - 9000II

Voltage - 115v	Voltage - 230v
Amperage - 16	Amperage - 8.8
Wattage - 1840	Wattage - 2024
Hertz - 60	Hertz - 50
RPM - 3450	RPM - 2850
Horse Power - 1/3	Horse Power - 1/3
Product Air Vol. - 260CFM	Product Air Vol. - 240CFM



9711 Mason Avenue, Chatsworth, CA 91311
(818) 772-2887 • (800) 821-9449 • fax: (818) 886-0218
DoubleKIndustries.com • info@DoubleKIndustries.com

IMPORTANT SAFEGUARDS

WARNING: IMPORTANT SAFETY PRECAUTIONS! PLEASE READ COMPLETELY BEFORE USING PRODUCT!

When using electrical appliances, especially in the presence of children and animals, basic safety precautions should always be followed to reduce the risk of fire, electric shock, and personal injury, including, but not limited to the following:

1. Only use product for its intended purpose: animal drying.
2. Unplug unit when not in use.
3. Do not use extension cords with dryer.
4. Do not unplug unit by pulling on cord.
5. Do not expose dryer to rain or water.
6. Do not use or store dryer where it can fall or be pulled into tub, sink or standing water. If dryer falls into water . . . UNPLUG IT . . . Do not reach into the water!
7. Unplug unit before attempting any maintenance or service.
8. Do not put any object into dryer openings.
9. Keep loose clothing, jewelry and hair away from dryer intake.
10. Do not direct dryer air towards eyes or ears of people or pets.
11. Never use dryer if it has a damaged cord or plug, has been dropped, damaged or exposed to rain or water. Return to **Double K Industries** or an Authorized Service Center for service.
12. Recommended operation by adults only.
13. Use caution when working around children.
14. Use only attachments recommended by **Double K Industries**.
15. Do not operate without filters in place. Keep filters clean, as dirty filters limit air intake and may damage the motor or cause overheating.
16. Plug only into a properly grounded receptacle. Always make sure the amperage of the electrical outlet is sufficient for the amperage rating of the product. (See Product Specifications for amperage rating of this product).
17. Do not attempt to perform any service or maintenance not outlined in instruction manual.
18. Do not attempt any product modifications or alterations. Do not use, if any parts or switches are damaged - send to an Authorized Service Center or Double K Industries for service.
19. When servicing, use only **Double K Industries** parts.



Double K Industries
Service Centers

How to Use (continued on page 7)

Keep the stand dryer to the right (left if you are left-handed) with the nozzle pointing toward the animal. Position the dryer by the grooming table and lock the caster wheels to keep the dryer from rotating. To dry most animals, adjust the height of the dryer arm to your chest height. A higher adjustment may be needed for larger animals. Place the animal on the grooming table and leash to grooming arm if necessary. Turn on the dryer to desired heat and air flow settings. Whatever direction your body is facing is the direction from which the air should blow. Dry the animal, working around the flow of air by reaching over and under the arm extension. In this position the airflow nozzle is conveniently in reach to adjust and re-adjust for the most effective aim.

Fluff drying is best achieved with a slicker brush. Brush only where the air is blowing on the coat and avoid blowing parts of the body where you are not concentrating. Use medium to high heat and care not to let the air blow on one area for too long. Brush out in the direction that the hair grows, with repetitious light, short strokes.

ASSEMBLY:

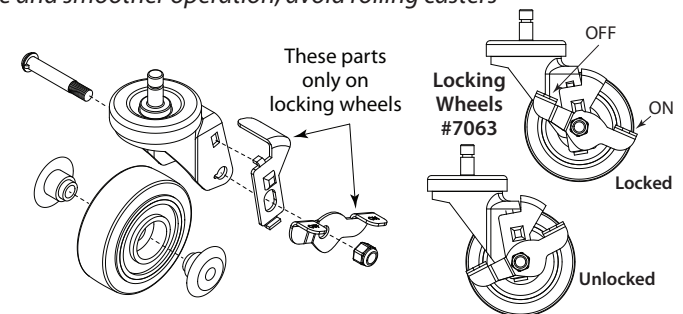
Dryer and Stand

The stand tube assembly is pre-assembled and wrapped in paper. The stand tube assembly is compressed and held in position by the center clamp. Loosen the ratchet handle on the clamp and allow the spring to extend the tube assembly. Place the end of the larger outer tube down into the center of the stand base. Twist and push down firmly (see ref #53, 55 on parts diagram). On the dryer head assembly, move the mounting fork to a 90-degree angle to the dryer. Lift the dryer and position over the assembled stand and slide the tube of the mounting fork into the upper stand tube (see ref #47, 51). With clamping handle still loose, raise or lower dryer to desired height and tighten stand adjustment handle as explained in the next paragraph (see ref #43).

Stand Height Adjustment and Dryer Angle Adjustment:

Your dryer has two "ratchet" type adjustment handles, one on the stand pole and one on the mounting fork that connects to the dryer. To tighten an adjustment handle, turn the handle clockwise until tight. As necessary, for additional tightening, pull the handle out to disengage the "ratchet" and while keeping the handle pulled out, turn the handle counter-clockwise to a suitable position for continued tightening. Be careful to not over tighten the handle as you can damage the clamp on the stand pole and the dryer housing. Release the handle to engage the "ratchet" again and repeat this action until the adjustment handle is tight. Reverse the turning direction to loosen the adjustment handle. To adjust the Stand Height loosen the ratchet handle and gently lift the dryer body up. The gas spring inside the stand tube will assist in raising the dryer height. Once the dryer is at the desired height then tighten the "ratchet" handle. To adjust the Dryer Angle loosen the ratchet handle on the mounting fork and use the handles at the front and rear of the dryer body to tilt the dryer. If the ratchet handle is torqued down too tightly and the dryer body is tilted up and down without loosening the handle it will stress the tabs on the dryer housing and can break over time. Once the dryer is at the desired angle tighten the "ratchet" handle. **NOZZLE:** The nozzle at the end of the extension arm may be rotated to change the direction of the airflow. Simply rotate nozzle to the desired direction (see ref #40).

Dryer Stand Casters: Your dryer stand has two locking casters to keep the dryer from rolling inadvertently. To lock wheels, press down on the lock arm that has "ON" engraved on it. To unlock, press down on the lock arm that has "OFF" engraved (see below). For long life and smoother operation, avoid rolling casters through hair that has fallen on the floor.



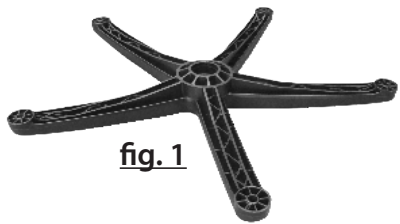


fig. 1

INSTRUCTIONS FOR INSTALLATION OF WHEELS INTO BASE.



fig. 2

Place base on ground or sturdy table with open side facing up. (fig. 1)

Line up post on wheel assembly with hole in base. (fig.2)



fig. 3

Placing a cloth between your hand and the wheel assembly to protect hand from sharp edges, press firmly in a downward direction, using your body weight to push wheel post into base. (fig. 3)

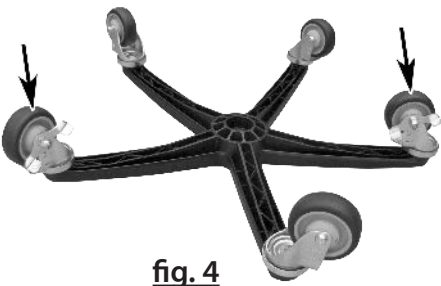


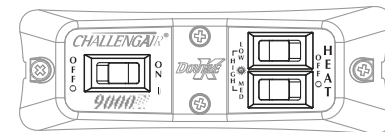
fig. 4

Locking Wheel Placement. Leave at least one non-locking wheel between the 2 locking wheels so that they are not next to each other. (fig. 4)

CONGRATULATIONS!

You've just purchased the **Double K CHALLENGAIR 9000 II**, which produces large volumes of warm air under pressure to make all of your animal drying tasks easier. Your new dryer is designed to provide long, reliable service.

Operation:



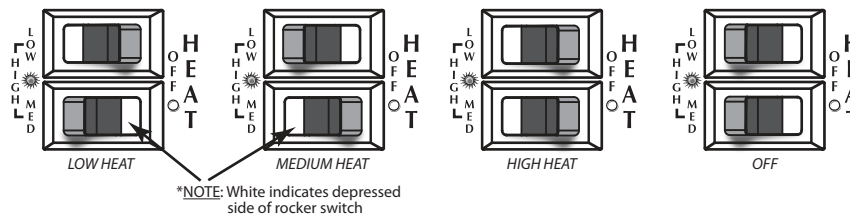
Switches and Controls:

Your dryer has three rocker switches.

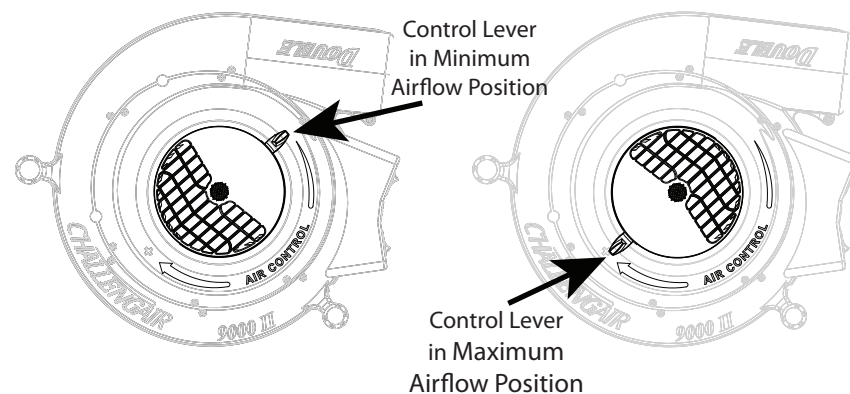
- To turn the dryer on: Flip the left switch to the "ON" position.
- To turn the dryer off: Flip the left switch to the "OFF" position.

Heat Control:

- **Low Heat:** Flip the top right switch to the "LOW" position while the bottom right switch is in the off position.
- **Medium Heat:** Flip the bottom right switch to the "MED" position while the top right switch is in the off position.
- **High Heat:** Flip both switches to "LOW" and "MED" position.
- **To Turn Off Heat:** Flip both switches to the "OFF" position.



Air Control: The air volume on your dryer is controlled by the baffle wheel located under the filter on the top of the dryer. Rotate the lever attached to the wheel counterclockwise to reduce the air and clockwise to increase the air volume.

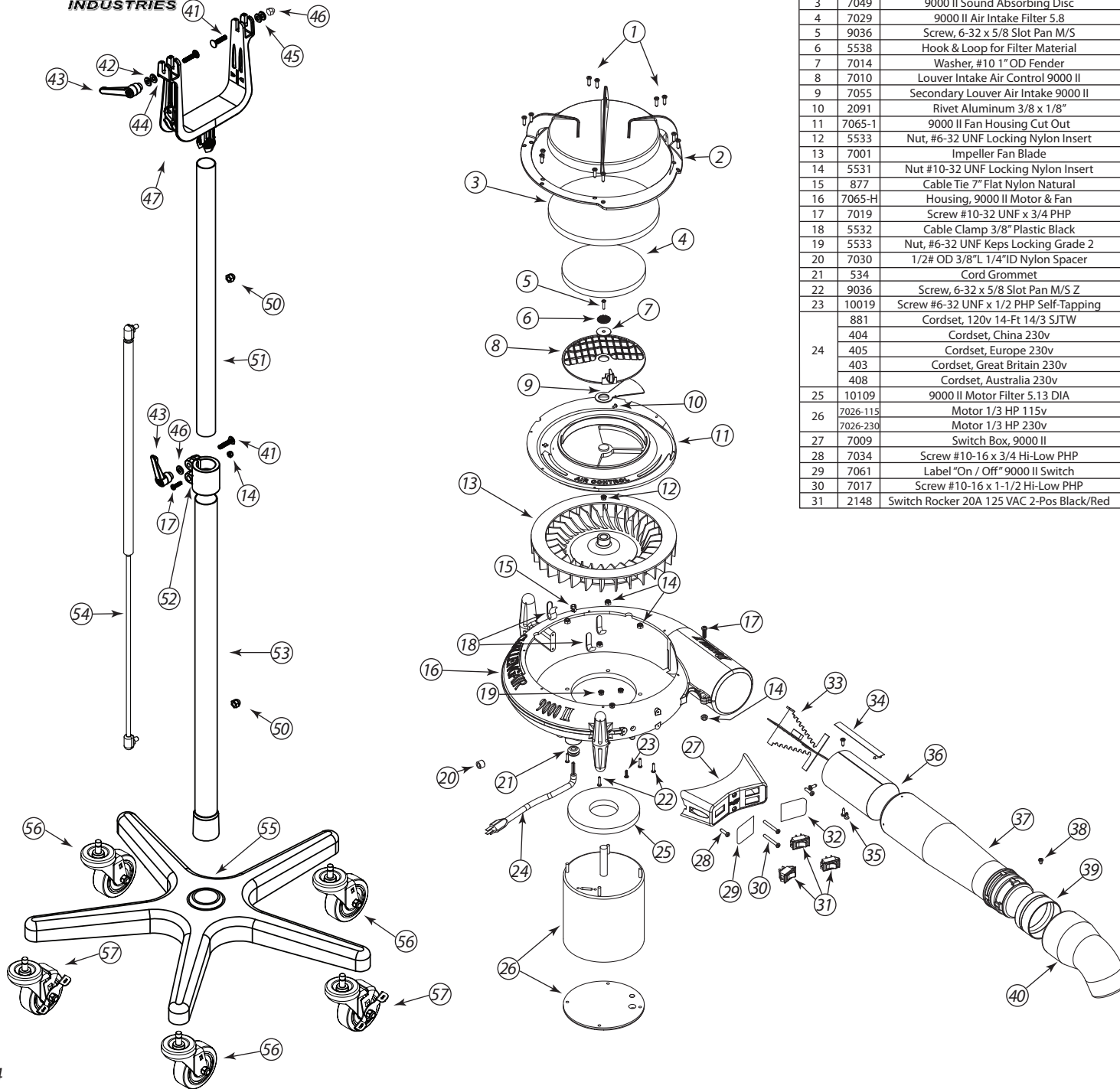


View with Sound Cap and Filter removed to show lever position

NOTE: The heat will also change as you increase or decrease the air volume, so you may want to adjust the heat setting together with the air volume to achieve the desired combination of air temperature and volume.

DOUBLE 9000II EXPLODED DIAGRAM

INDUSTRIES



9000II PARTS LIST

Item#	Part#	DESCRIPTION	Qty.	Item#	Part#	DESCRIPTION	Qty.	
1	7020	Screw #8-16 x 5/8 Hi-Low PHP	12	32	7062	Label, 9000 II Heat Control, Two-Switch	1	
2	7032	Sound Cap, 9000 II	1	33	7044	115v Heating Element w/Fuse	1	
3	7049	9000 II Sound Absorbing Disc	1	34	7052	230v Heating Element w/Fuse	1	
4	7029	9000 II Air Intake Filter 5.8	1	35	10122	Graphite Tape .015 x 1.0 x 50'	1	
5	9036	Screw, 6-32 x 5/8 Slot Pan M/S	1	36	9003	Screw #8 x 1/2 Sht, Metal PHP	4	
6	5538	Hook & Loop for Filter Material	1	37	7054	Shield For Heating Element	1	
7	7014	Washer, #10 1" OD Fender	1	38	7066-1	9000 II Arm Extension	1	
8	7010	Louver Intake Air Control 9000 II	1	39	7073	8-32 x .25 Machine Screw	1	
9	7055	Secondary Louver Air Intake 9000 II	1	40	7046A	Sleeve, 9000 II Arm Ext. 3"OD	1	
10	2091	Rivet Aluminum 3/8 x 1/8"	1	41	7065-A	Nozzle Directional, 9000 II Arm	1	
11	7065-1	9000 II Fan Housing Cut Out	1	42	7015	Bolt Screw 1/4-20 UNC x 1-1/2 Carriage	3	
12	5533	Nut, #6-32 UNF Locking Nylon Insert	4	43	7013	Washer, 1.0 ODx.378 IDx.030 THK	4	
13	7001	Impeller Fan Blade	1	44	7033	Handle Lever Adj. Black	2	
14	5531	Nut #10-32 UNF Locking Nylon Insert	6	45	10031	Washer, 1/4 SAE Flat Pltd	5	
15	877	Cable Tie 7" Flat Nylon Natural	1	46	967	Washer Split Lock 1/4"	2	
16	7065-H	Housing, 9000 II Motor & Fan	1	47	7031	Nut Acorn 1/4-20 UNC Zinc Plate	1	
17	7019	Screw #10-32 UNF x 3/4 PHP	2	48	7082	9000 II Mounting Fork Black	1	
18	5532	Cable Clamp 3/8" Plastic Black	3	49	808	Nut 5/16-18 UNC Nickel Plated	2	
19	5533	Nut, #6-32 UNF Keps Locking Grade 2	3	50	838A	Tube, 24" Inner Dryer Stand	1	
20	7030	1/2" OD 3/8" L 1/4" ID Nylon Spacer	2	51	7003	Clamp Stand Height Adjust	1	
21	534	Cord Grommet	1	52	9020A	Tube, 30" Outer Dryer Stand	1	
22	9036	Screw, 6-32 x 5/8 Slot Pan M/S Z	2	53	830-1	Gas Spring 36", Lift-O-Mat	1	
23	10019	Screw #6-32 UNF x 1/2 PHP Self-Tapping	1	54	9023	Stand Base, 26" 5-Leg Black	1	
24	881	Cordset, 120v 14-Ft 14/3 SJTW	1	55	7064	Caster 3.5" Rubber Wheel	3	
	404	Cordset, China 230v			56	7063	Caster 3.5" Rubber Locking Wheel	2
	405	Cordset, Europe 230v						
	403	Cordset, Great Britain 230v						
	408	Cordset, Australia 230v						
25	10109	9000 II Motor Filter 5.13 DIA	1					
26	7026-115	Motor 1/3 HP 115v	1					
	7026-230	Motor 1/3 HP 230v						
27	7009	Switch Box, 9000 II	1					
28	7034	Screw #10-16 x 3/4 Hi-Low PHP	2					
29	7061	Label "On / Off" 9000 II Switch	1					
30	7017	Screw #10-16 x 1-1/2 Hi-Low PHP	2					
31	2148	Switch Rocker 20A 125 VAC 2-Pos Black/Red	3					

